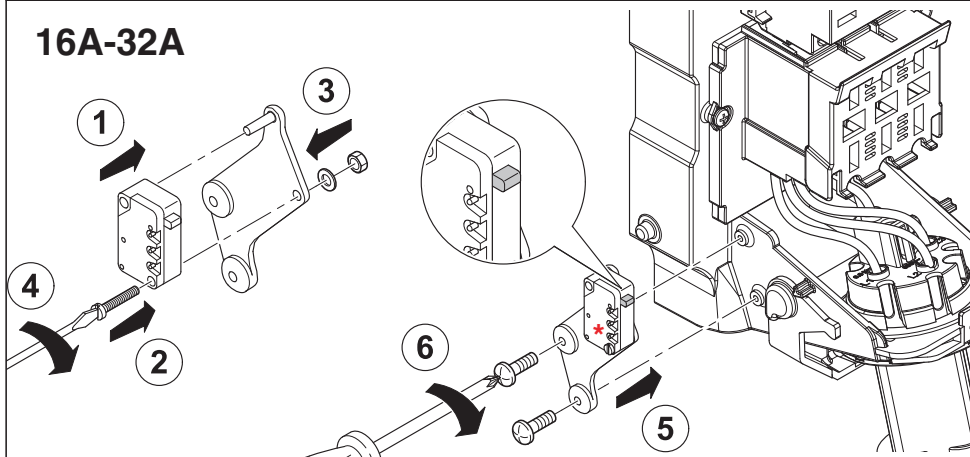
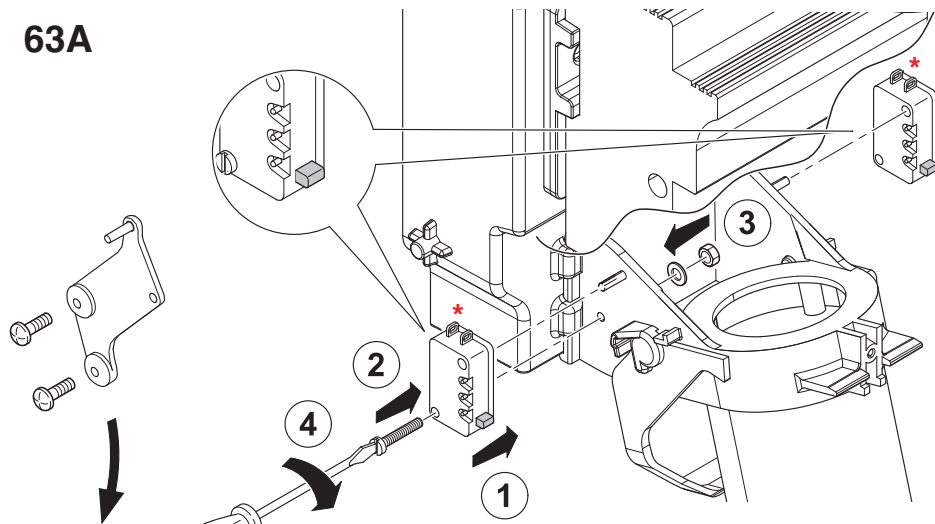


ART. 579.0100  
 KIT MICROSWITCH  
 400V~ - 10A MAX - 1 NO + 1 NC

## 16A-32A



## 63A



\* Terminali a saldare - Solder terminals  
 Terminal de soldadura - Bornes à souder

**InfoTECH**

ITALY Numero Verde <b>800-018009</b>	WORLDWIDE ScameOnLine www.scame.com infotech@scame.com
--	---