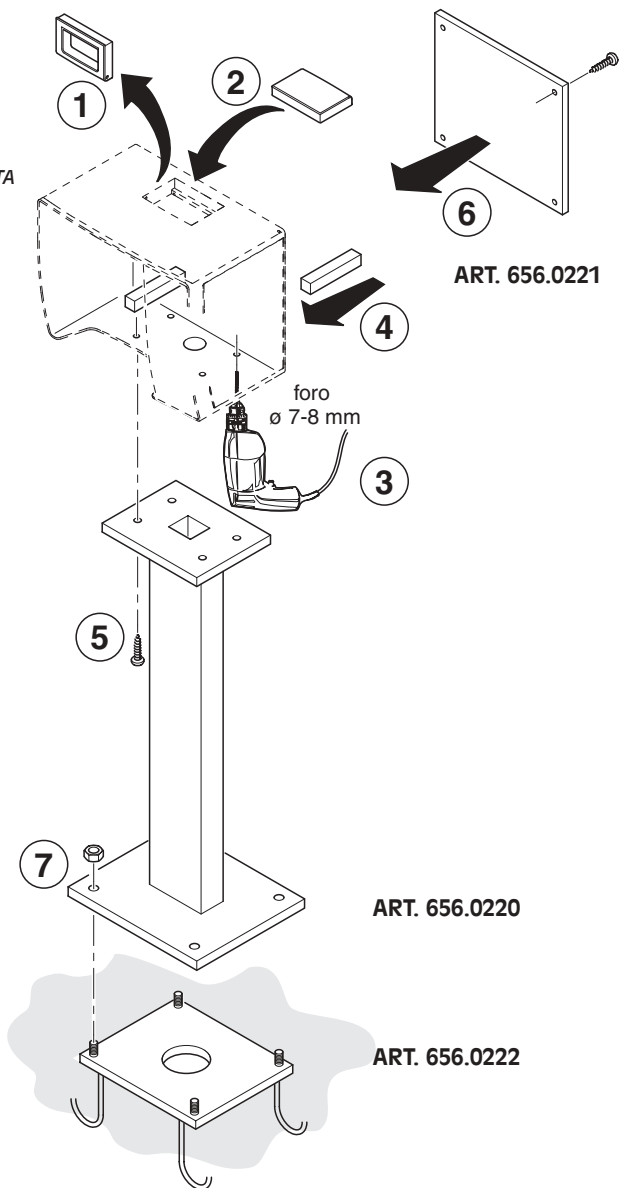


ART.  
656.0220  
656.0221  
656.0222

KIT FISSAGGIO TORRETTA  
ELEVATED INSTALLATION  
INSTALLATION SUR BORNE  
INSTALACIÓN SOBRE TORETA



ART.  
656.0220  
656.0221  
656.0222

KIT FISSAGGIO TORRETTA  
ELEVATED INSTALLATION  
INSTALLATION SUR BORNE  
INSTALACIÓN SOBRE TORETA

